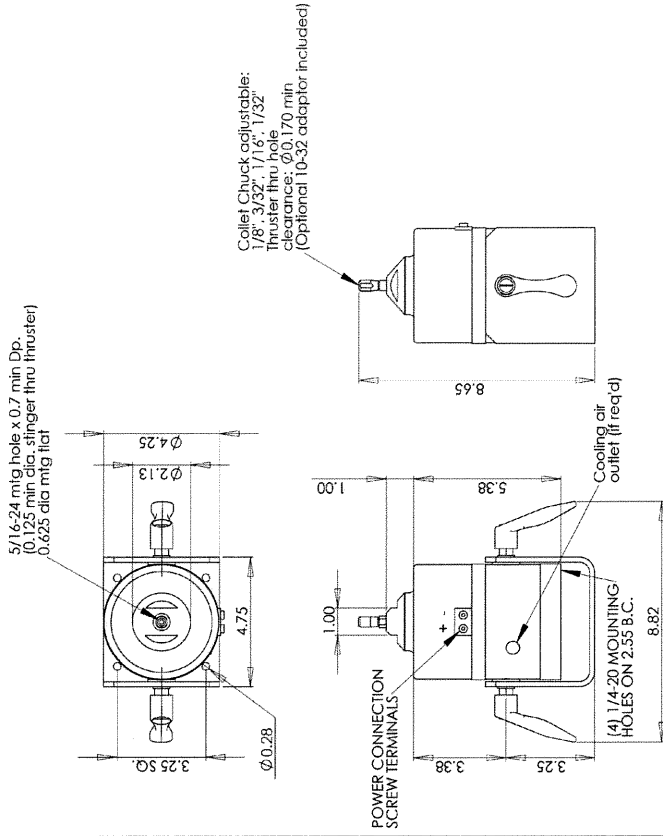


PERFORMANCE

Sine Force	13 (58)
Natural Air Cooling	
Max. Displacement	0.7 (18)
Continuous pk-pk	0.75 (19)
Mechanical Stops	DC-9000
Frequency Range ¹	>6000
Fundamental Resonance ¹	120 (3)
Maximum Velocity	
Acceleration ^{1,2}	
Bare Table (w/collet)	72
0.5 lb load	63
2.5 lb load	9
Maximum Acceleration at Resonance	200

PHYSICAL

Armature Weight	0.35 (0.159)
Suspension Stiffness	15 (2.6)
Rated Armature Current	12.5
Natural Cooling	<10
Stray Magnetic Field	<15
1.5" above collet	80
0.5" from body	8.65 x 8.82 x 4.25 (220 x 224 x 108)
Cooling Air	13 (6)
Dimensions	
Shaker Weight	



RELATED EQUIPMENT

- 2050E05 Power Amplifier, selectable voltage / current control, 500 VA
- 2150G12 Modal Stingers, 1/16" diameter rod with 10-32 threaded end, pack of three
- 2155G12 Modal Stingers, 3/32" diameter rod with 10-32 threaded end, pack of three
- K2160G Plano Wire Stinger Kit, includes quick disconnect load cell adapter
- 2050A Lateral Excitation Stand

NOTES:

- ¹ Load dependent
- ² Please see systems ratings for additional specs.

SUPPLIED ACCESSORIES:

- Qty 1 exciter cable
- Qty 1 modal stinger kit

All specifications are at room temperature unless otherwise specified.

ICP® is a registered trademark of PCB Piezotronics, Inc.

In the interest of constant product improvement, specifications may change without notice.

THE MODAL SHOP



A PCB GROUP CO.

**3149 East Kemper Road
Cincinnati, OH 45241**

**800-860-4867 Fax (513) 458-52172
513-351-9919**

info@modalshop.com
SAM-F020 revNR 04/04/03

Project Engineer: **ATG** Product Manager: **MAR** Mkt Team Leader: **JMO** Spec Number: **PS-0054**

Date: 1/27/10 Date: 1/28/10 Date: 1/28/10