

PERFORMANCE

Sine Force	lbf pk (N pk)	55 (244.5)
Natural Air Cooling	lbf pk (N pk)	110 (489)
Forced Air Cooling		
Random Force		
Natural Air Cooling	lbf rms (N rms)	37.5 (167)
Forced Air Cooling	lbf rms (N rms)	75 (334)
Shock Force (50 ms)	lbf pk (N pk)	225 (1000)
Max. Displacement		
Continuous pk-pk	in (mm)	1.0 (25.4)
Between Stops	in (mm)	1.03 (26.2)
Frequency Range ¹	Hz	DC-6,500
Fundamental Resonance ¹	Hz	4,000-5,000
Maximum Velocity	ips pk (m/s)	70 (1.778)
Acceleration ^{1,2}		
Bare Table	g pk	110
1 lb load	g pk	55
5 lb load	g pk	18
Maximum Acceleration		
Resonant	g pk	150
Peak Shock	g pk	200

PHYSICAL

Armature Weight	lb (kg)	1.0 (0.45)
Suspension Stiffness	lb/in (N/mm)	90 (15.8)
Rated Drive Current	A rms	11
Natural Cooling	A rms	22
With Cooling Vacuum		
Stray magnetic field	gauss	<20
Measured 1.5" above table	gauss	<25
Measured 1.0" from body	W	175
Field Power	CFM / in H ₂ O	100 / 15
Cooling Air	in (mm) HxWxD	11.7 x 12.5 x 6.5 (297 x 318 x 165)
Dimensions	lbs (kg)	56 (25.4)
Shaker Weight (including trunnion)		

All specifications are at room temperature unless otherwise specified.

ICP® is a registered trademark of PCB Piezotronics, Inc.

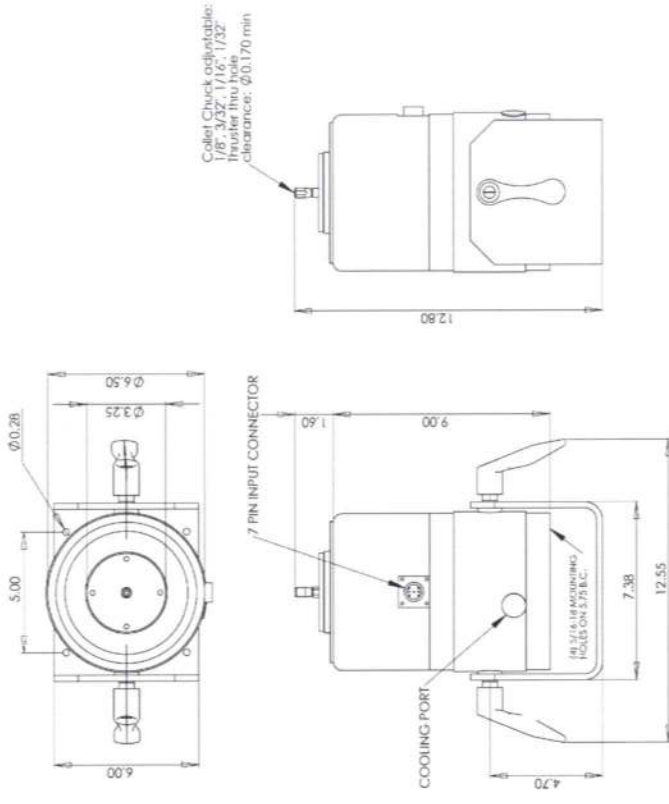
In the interest of constant product improvement, specifications may change without notice.



**3149 East Kemper Road
Cincinnati, OH 45241**

**800-860-4867 Fax (513) 458-2172
513-351-9919**

info@modalshop.com
SAM-F020 revNR 04/04/03



NOTES:

- ¹ Load dependent
- ² Please see systems ratings for additional specs.

SUPPLIED ACCESSORIES:

- Qty 1 exciter cable
- Qty 1 modal stinger kit

Project Engineer: ATG	Product Manager: MAP	Mkt. Team Leader: SAS	Spec Number: PS-0063
Date: 4/14/09	Date: 4.14.09	Date: 4/14/9	