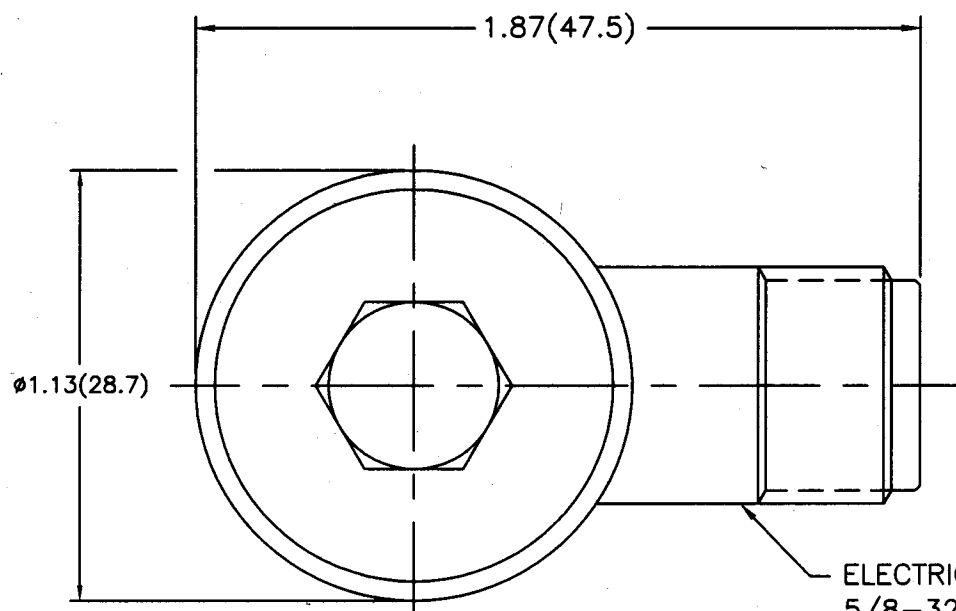


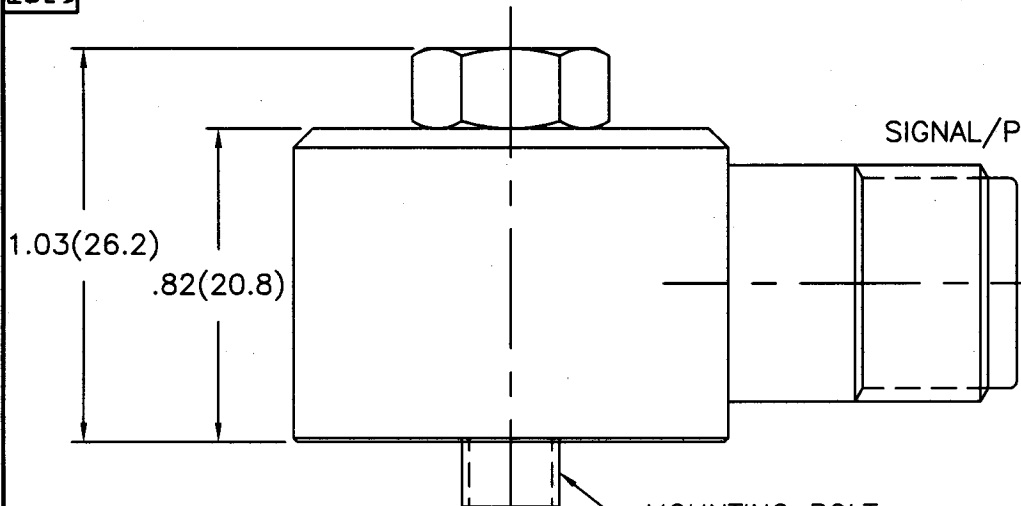
APPLICATION			REVISIONS				
NEXT ASS'Y	USED ON	VAR	REV	DESCRIPTION	ECN	DATE	APP'D
			A	REVISED PER ECN	16772	1/16/03	DM/03

12951

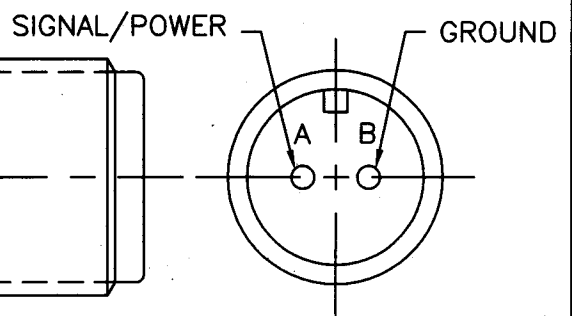
PCB Piezotronics Inc. claims proprietary rights in the information disclosed hereon. Neither it nor any reproduction thereof will be disclosed to others without written consent of PCB Piezotronics Inc.



ELECTRICAL CONNECTOR
5/8-32 UNEF-2A
2-PIN (MIL-C-5015)



MOUNTING BOLT
MODEL 081A97
1/4-28 UNF-2A
X .98 (24.9) LONG
(SUPPLIES) \triangle 1



SIDE VIEW OF CONNECTOR

\triangle 1 FOR METRIC ACCELEROMETER (M635A01) USE MOUNTING BOLT MODEL M081A97, M6 X 1.00-6g X .98 (24.9) LONG.

UNLESS SPECIFIED TOLERANCES		DRAWN <i>MNS 1.17.03</i>			MFG <i>P.D. 1/24/03</i>		 3425 WALDEN AVE. DEPEW, NY 14043 (716) 684-0001 EMAIL: SALES@PCB.COM	
DIMENSIONS IN INCHES	DIMENSIONS IN MILLIMETERS (IN PARENTHESIS)	CHK'D <i>DM 1/20/03</i>	ENGR <i>MA 1/24/03</i>	SALES <i>ES 1/24/03</i>	APP'D <i>P.F. 1/24/03</i>	CODE IDENT. NO. 52681		
DECIMALS XX ±.01 XXX ±.005	DECIMALS XX ±0.3 XXX ±0.13	TITLE OUTLINE DRAWING MODEL 635A01, M ACCELEROMETER					SCALE: 2 : 1	
ANGLES ±2 DEGREES	ANGLES ±2 DEGREES						SHEET 1 OF 1	
FILLET AND RADII .003 - .005	FILLET AND RADII (0.07 - 0.13)	DD011 REV. B 03/13/98						